

# Model US

# 115/230 Volt High Frequency Electric



Ask for Cat.#8401 or 0103

## MODEL US

- FEATURES:**
- HIGH SPEED
  - RUGGED
  - SPEED ADJUSTABLE
  - 115 VOLT PLUG IN

VIBCO's Model US High Frequency line are 115 volt single phase motors with low amperage draw. They can be plugged into any light outlet or operated from field generators. All units are speed adjustable with rheostat or electronic speed controls. US-900 and 1600 have adjustable eccentrics. The US line is, due to the high frequency, rated for intermittent operation. 230 volt available on most models. Consult factory.

### HIGH FREQUENCY VIBRATORS IDEAL FOR ALL CONCRETE WORK

#### FOR CONCRETE PRODUCT

- Faster pouring
- Less cement needed
- Greater density
- Smoother finish
- Faster form removal

#### FOR VIBRATOR

- Totally enclosed
  - High impact
  - Light weight
  - Assortment of brackets available
- See page 35 & 36.

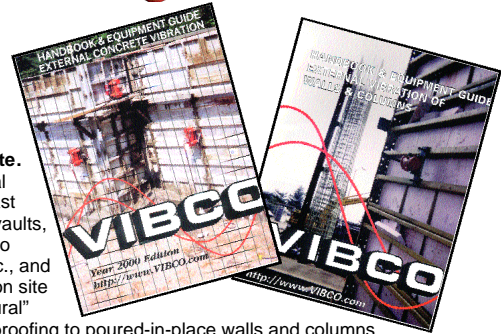
#### Casting Concrete.

Model US is ideal both at the precast plant on tables, vaults, septic tanks, patio blocks, steps, etc., and at the construction site giving "architectural" finishes and fireproofing to poured-in-place walls and columns.

Ask for Catalog 0103. Model US-900, the most popular unit for septic tanks, burial vaults, step forms, for architectural surface finish and fire proofing columns, casting tables for up to 300 lbs. of product. US-1600 the problem solver - for similar applications as the US-900. See page 35 and 36 for different brackets. Ask for Catalog 8401.

**Bins & Weigh-Batchers.** The US-450 has become the standard unit throughout the industry for weigh-batchers. The US-700, US-900 and US-1600 for moving powdery and sticky materials in bins and chutes.

**Fatigue and Test Tables.** For verifying integrity of electric circuits, removing dangerous residues, detect marginal connections.



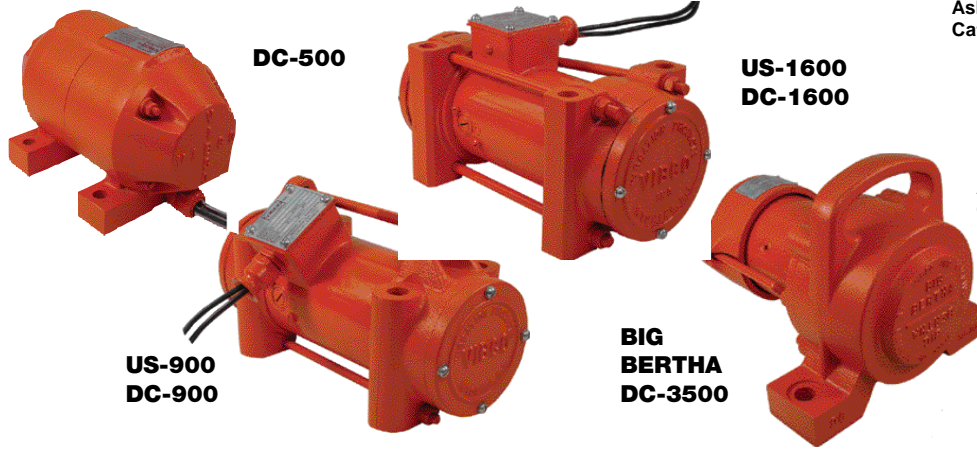
### TECHNICAL DATA

Model	Force			Volts	Ph.	Max. Speed	dB*	Weight		Duty Cycle
	lbs.	N	Amps.**					lbs.	kg.	
US-100	100	445	.65	115 AC-DC	1	10000	78	4	1.8	Int.
US-450	450	2002	3.0	115 AC-DC	1	9000	80	13	5.9	Int.
US-700	700	3115	3.5	115 AC-DC	1	8000	80	20	9.1	Int.
US-900	900	4004	4.5	115 AC-DC	1	10000	85	18	8.2	Int.
US-1600	1600	7118	5.0	115 AC-DC	1	9000	85	20	9.1	Int.
DC-20	20	89	3.7	6 & 12 DC	1	3500	68	3	1.4	Cont.
DC-50	50	223	3	12 & 24 DC	1	3600	71	6	2.72	Cont.
DC-60	60	267	3	12 & 24 DC	1	3600	68	8	3.6	Cont.
DC-100	100	445	12	12 & 24 DC	1	4000	72	4	1.8	Cont.
DC-200	300	1334	14	12 & 24 DC	1	4000	73	8	3.6	Cont.
DC-300	350	1557	16	12 & 24 DC	1	4000	74	9	4	Cont.
DC-450	400	1780	22	12 & 24 DC	1	7000	75	17	7.7	Cont.
DC-500	450	2005	16	12 & 24 DC	1	4000	73	12	5.5	Cont.
DC-700	700	3115	25	12 & 24 DC	1	6000	75	20	9.1	Int.
DC-900	600	2669	30	12 & 24 DC	1	6000	78	20	9.1	Special
DC-1600	1000	4450	32	12 & 24 DC	1	5000	82	30	13.6	Special
DC-3500	3500	15572	60	12 & 24 DC	1	4000	70	36	16.3	Special

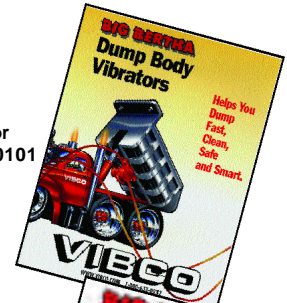
Note: The frequency will vary with the load. \*Decibel on A-scale at 3'(1 meter) N=Centrifugal force in Newton.

\*\*Amps shown for 12 volt DC (24 volt amps 1/2 of 12 volts) \*\*\*230 Volt available on most US-Models Note: Dimensions and data subject to change without notice.

# Model DC 12 Volt Battery Operated



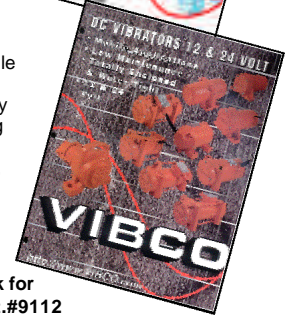
Ask for  
Cat.#0101



Ask for  
Cat.#9511



Ask for  
Cat.#9112

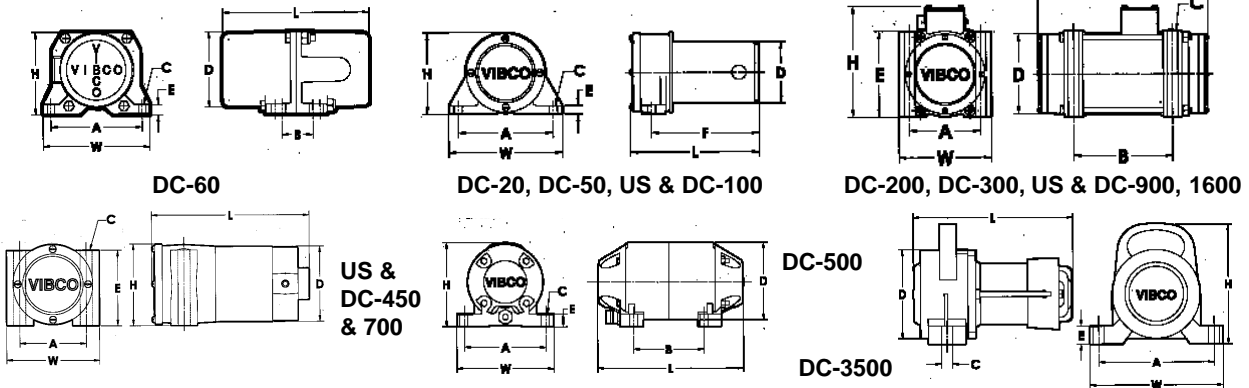


## MODEL DC - 12 Volt DC Battery Operated

VIBCO's 12 Volt DC Vibrators are ideal for field or mobile applications. Cleans and aids flow of material from bins and chutes. Insures fast dump of trucks, highway equipment, fertilizer trailers, ready mix trucks, spreaders and concrete pumps.  
DC-20 small spreaders & hoppers.  
DC-100 hoppers etc.up to 1-1/2 yards.  
DC-200 and DC-300 small work horse for landscape equipment & trailer mounted concrete pumps.  
DC-500 the choice for truck mounted concrete pumps. Watertight & O-ring sealed for power washdown.DC-60 for trailer mounted pumps.

DC-450 popular on tailgate spreaders, small hoppers, fertilizer and bulk feed trucks, mobile bins and hoppers.  
DC-700 has more power per pound than any other vibrator, excellent for use on screening plants, chutes, etc.  
DC-900 and DC-1600 for hopper spreaders, large mobile bins, concrete spreaders.  
DC-3500 on dump trucks, moving loam and other sticky materials, highway spreaders and concrete placers and pavers, screens and larger storage bins.

ASK FOR CATALOGS  
#0101,#9511 and #9112.



## DIMENSIONS

Model	L inch/mm		W inch/mm		H inch/mm		A inch/mm		B inch/mm		C* inch/mm		D inch/mm		E inch/mm	
DC-20	5	127	5	127	3-1/8	89	4	102	-	3/8	10	3	76	3/8	10	
DC-50	5-5/8	143	5	127	3-5/8	64	4	102	-	3/8	10	2-1/2	64	3/8	10	
DC-60	6-3/8	162	4-1/2	114	3-1/4	83	3-5/8	64	1-5/16	33	5/16	8	3	76	3/8	10
US-100, DC-100	6-3/4	171	6	152	4-1/4	108	5	127	-	3/8	10	3-3/8	86	-	-	
DC-200	8-1/2	216	4-1/8	105	5	127	3	76	5-3/4	145	5/16	8	3-9/16	90	-	
DC-300	9	229	4-1/8	105	5	127	3	76	5-3/4	145	5/16	8	3-9/16	90	-	
US-450, DC-450	8-1/4	210	4-7/8	124	4-1/8	105	3-1/2	89	-	1/2	12	4	102	6-1/2	165	
US-700- DC-700	7-3/4	197	5-5/8	143	5-1/4	133	4-1/2	114	-	1/2	12	5-1/16	128	6-1/2	165	
DC-500	9	229	6-1/4	159	5-1/2	140	5-1/4	133	4-1/2	114	7/16	11	-	-	-	
US-900, DC-900	11-1/8	283	5-1/2	140	6-1/4	160	3-1/2	89	6-5/8	168	1/2	12	4	102	-	
US-1600, DC-1600	11-1/4	286	5-5/8	143	6-1/4	159	4-1/2	114	7	178	1/2	12	4-1/2	184	-	
DC-3500	12	305	10	254	9	229	8-1/2	216	-	3/4	19	3	76	-	-	

\*Bolt Size Note:Dimensions and data subject to change without notice.

PHONE: 800-633-0032 • www.vibco.com • FAX: 401-539-2584